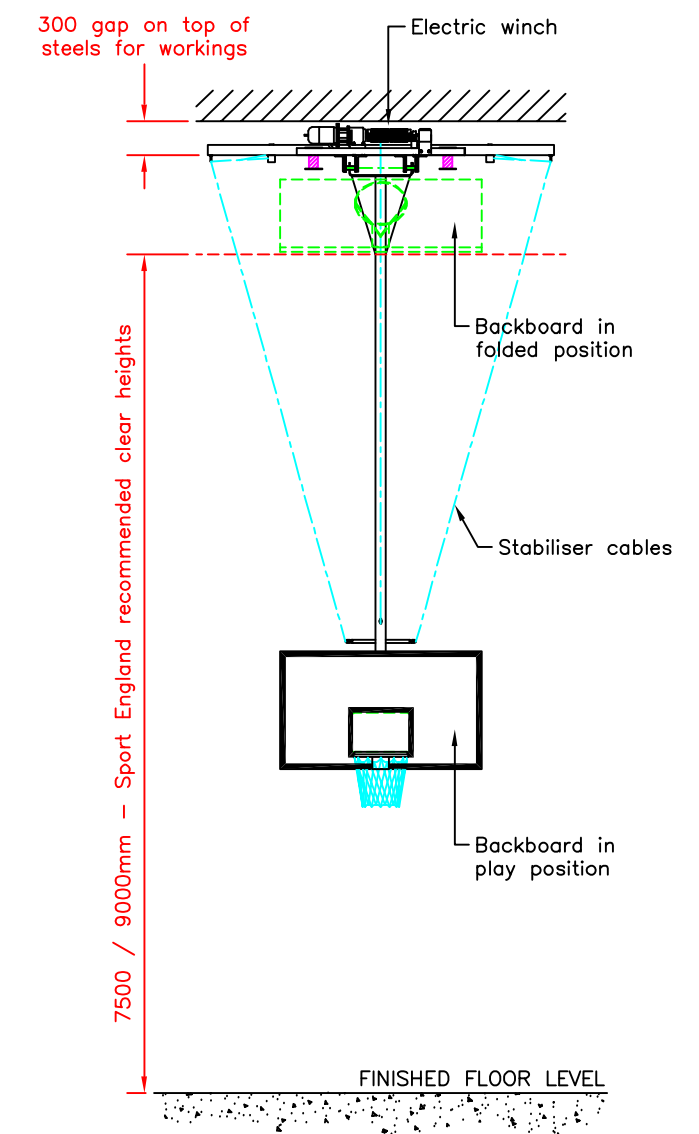
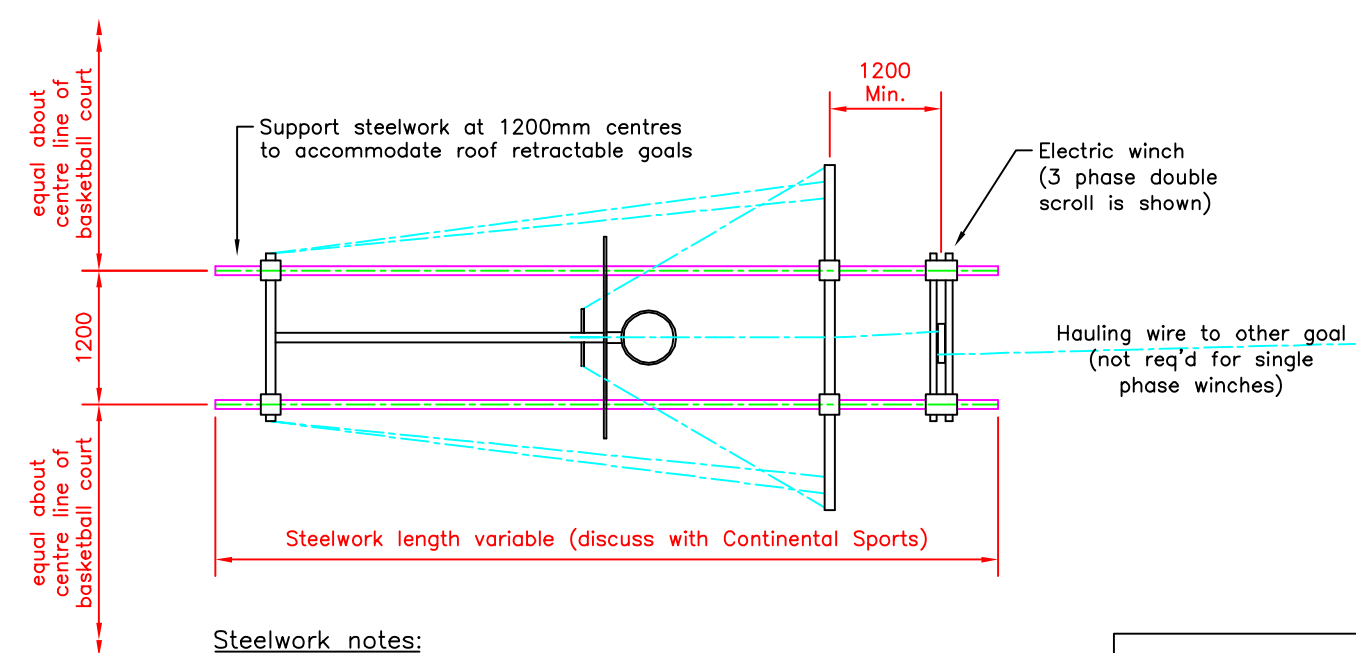


SIDE VIEW

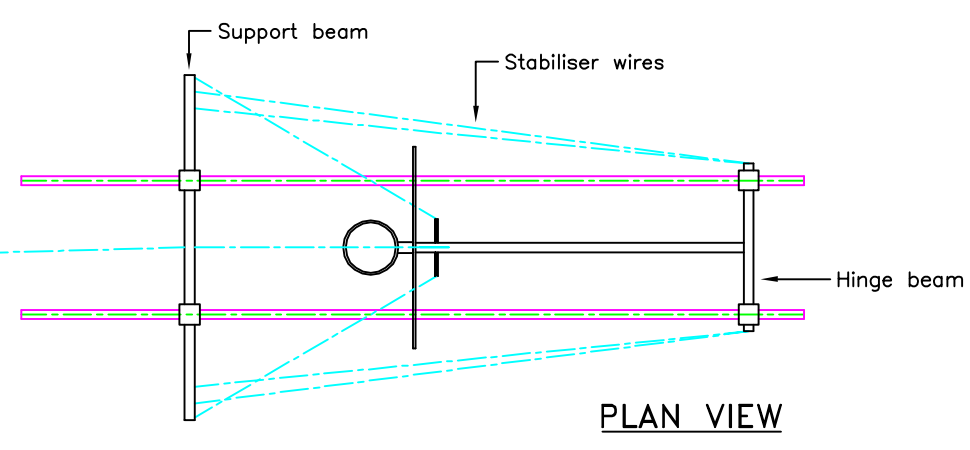


FRONT VIEW



**Steelwork notes:**

Suitable support steelwork should be provided approximately 3.5 metres in front and behind, the front face of the basketball board in the play position. There must be a 300mm gap above the steelwork to accommodate the winch & workings. The steelwork installed must be capable of accepting a 254kgs deadweight, at any point along its length and two sections of steel at 1.2 metres centres are necessary.



PLAN VIEW

Before any steelwork is installed please forward design drawings to drawingoffice@contisports.co.uk for comment / approval.

To discuss 3 phase or single phase winch options and electrical requirements for these winches please contact Continental Sports

© Continental Sports Limited  
The copyright of this drawing and any supplementary information issued shall remain vested in Continental Sports Limited. It shall not be passed to any other party without the express written consent of an authorised director of Continental Sports Limited.

Tolerances as detailed on SPE001 unless noted on the dimension. ALL DIMENSIONS ARE GIVEN IN MILLIMETRES. DO NOT SCALE OFF DRAWING.

F: RC CSP2-2209 21/1/13. SINGLE PHASE WINCH TEXT & OPTIONS ADDED TO DRAWING. SPORT ENG. HEIGHTS ALTERED.  
E: JC CSP2-2246 11/10/10. 254KG SWL CHANGED TO DEADWEIGHT DUE TO THE TERMINOLOGY BEING MISLEADING.  
D: RC CSP2-2218 4/11/09. DRAWING REDRAWN & UPDATED. WINCH IN MIDDLE OF HALL REMOVED. HEIGHTS ADDED.  
C: RC 28/09/06. CSP2-2072. BACKBOARD NOTE ADDED.  
B: TJH, 11/01/01, CSP2-1477. REDRAWN ON C.A.D. WITH MINOR UPDATED CHANGES.



Continental Sports Limited  
Paddock, Huddersfield HD1 4SD  
Tel: Huddersfield (01484) 542051 Fax: (01484) 539148  
Website: <http://www.continentialsports.co.uk>  
E-Mail: [sales@contisports.co.uk](mailto:sales@contisports.co.uk)

Continental Sports Limited accepts no responsibility for ensuring compliance of this layout with any relevant legislation.

**SPORTS HALL, Electric Winch Operated Overhead Retractable Basketball Goals.**

scale	date	dr	rev
1:50	11/1/01	TJH	F
projection	dwg no	SH-02	