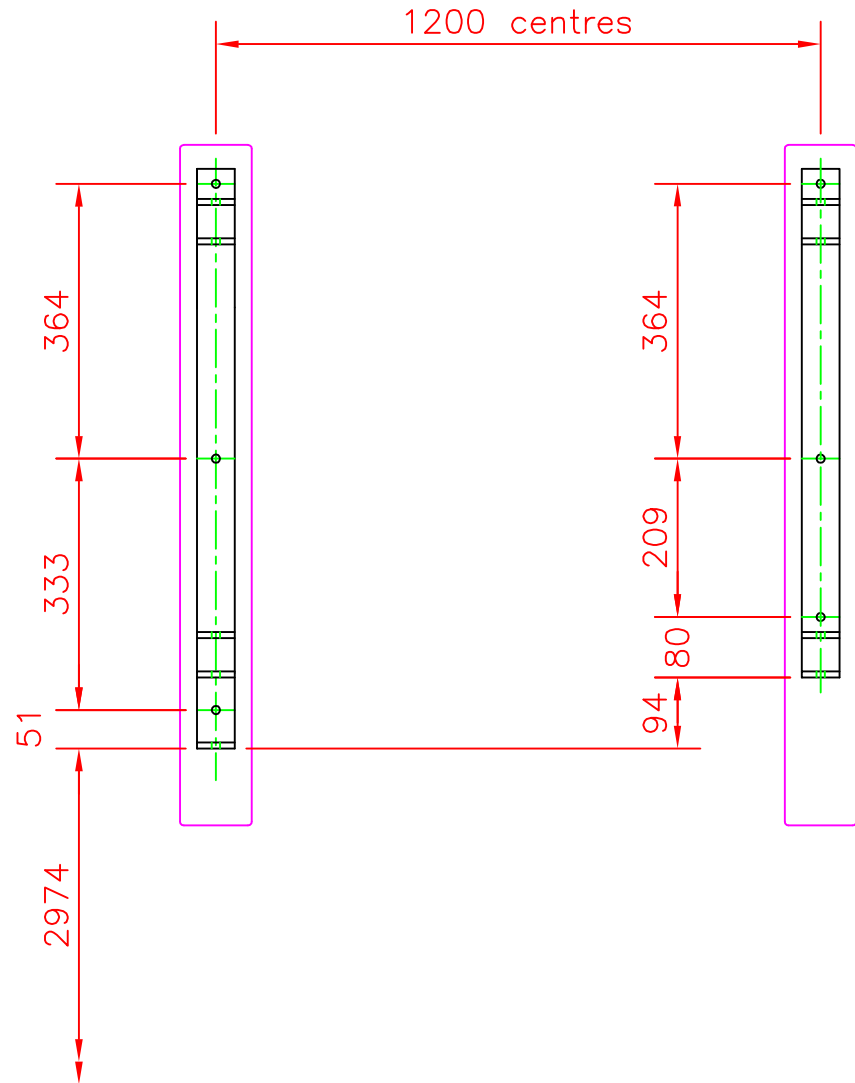
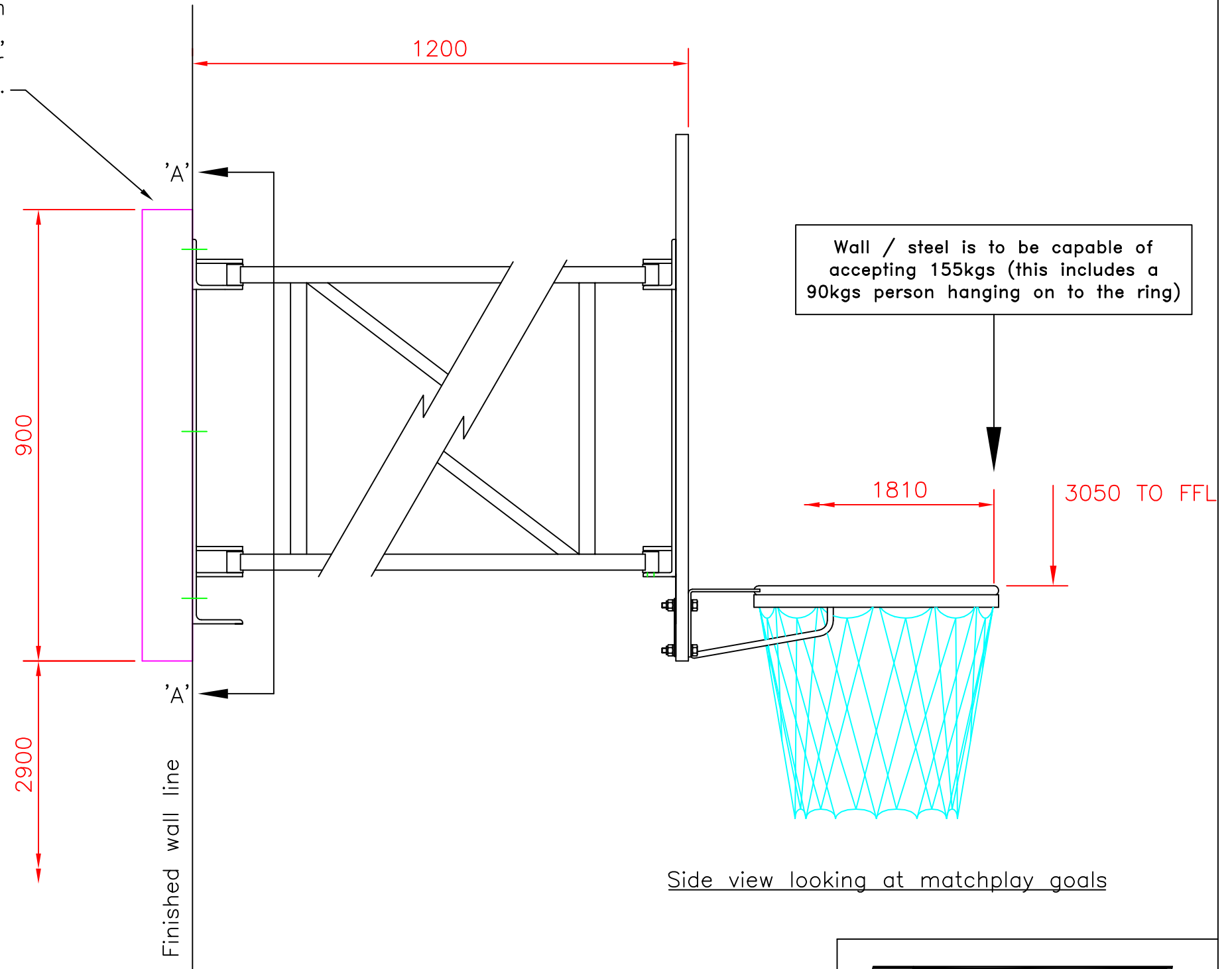


Purple indicates 2no vertical steels required @ 1.2m centres for b/ball goals, see drawing SH-08a for preferred steel orientation.



Section view on arrow 'A-A' showing required steelwork for matchplay goals



Side view looking at matchplay goals



Continental Sports Limited
 Paddock, Huddersfield HD1 4SD
 Tel: Huddersfield (01484) 542051 Fax: (01484) 539148
 Website: <http://www.continentialsports.co.uk>
 E-Mail: sales@contisports.co.uk

**1200mm PROJECTION
 MATCHPLAY BASKETBALL GOALS.
 Loadings & Steelwork
 Requirements.**

scale	date	dr	rev
1:10	07/10/11	JC	
projection	dwg no		
	SH-08e		

Tolerances as detailed on SPE001 unless noted on the dimension. ALL DIMENSIONS ARE GIVEN IN MILLIMETRES. DO NOT SCALE OFF DRAWING.

© Continental Sports Limited
 The copyright of this drawing and any supplementary information issued shall remain vested in Continental Sports Limited. It shall not be passed to any other party without the express written consent of an authorised director of Continental Sports Limited.