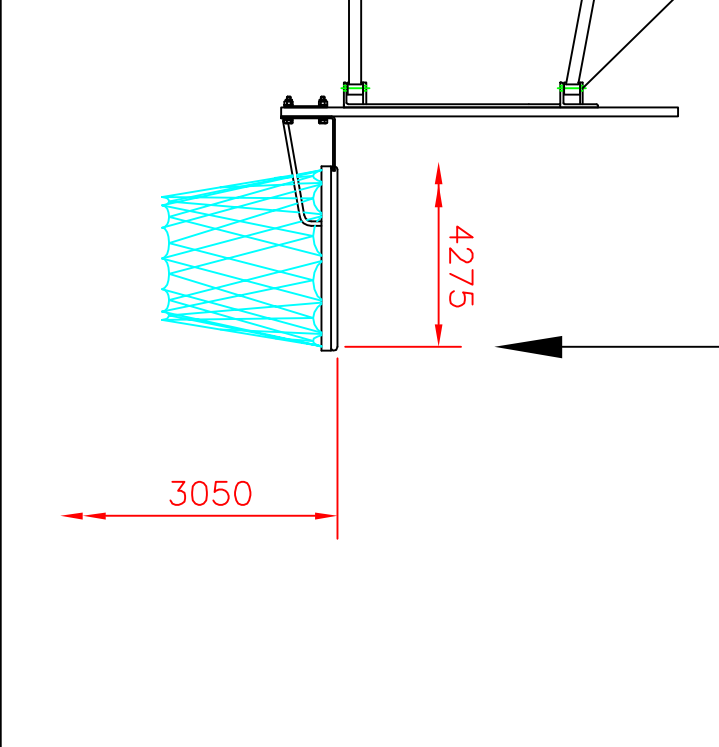


Wall / steel is to be capable of accepting 260kgs (this includes a 90kgs person hanging on to the ring)



© Continental Sports Limited  
The copyright of this drawing and any supplementary information issued shall remain vested in Continental Sports Limited. It shall not be passed to any other party without the express written consent of an authorised director of Continental Sports Limited.

Tolerances as detailed on SPEED001 unless noted on the dimension.  
ALL DIMENSIONS ARE GIVEN IN MILLIMETRES.  
DO NOT SCALE OFF DRAWING.



Continental Sports Limited  
Paddock, Huddersfield HD1 4SD  
Tel: Huddersfield (01484) 542051 Fax: (01484) 539148  
Website: <http://www.continental-sports.co.uk>  
E-Mail: [sales@contisports.co.uk](mailto:sales@contisports.co.uk)

**3.7m PROJECTION WALL HINGED MATCHPLAY BASKETBALL GOALS. Protruding Stub Steelwork Requirements & Loadings.**

scale	date	dr	rev
1:20	8/4/10	RC	
projection	dwg no		
	SH-08i		