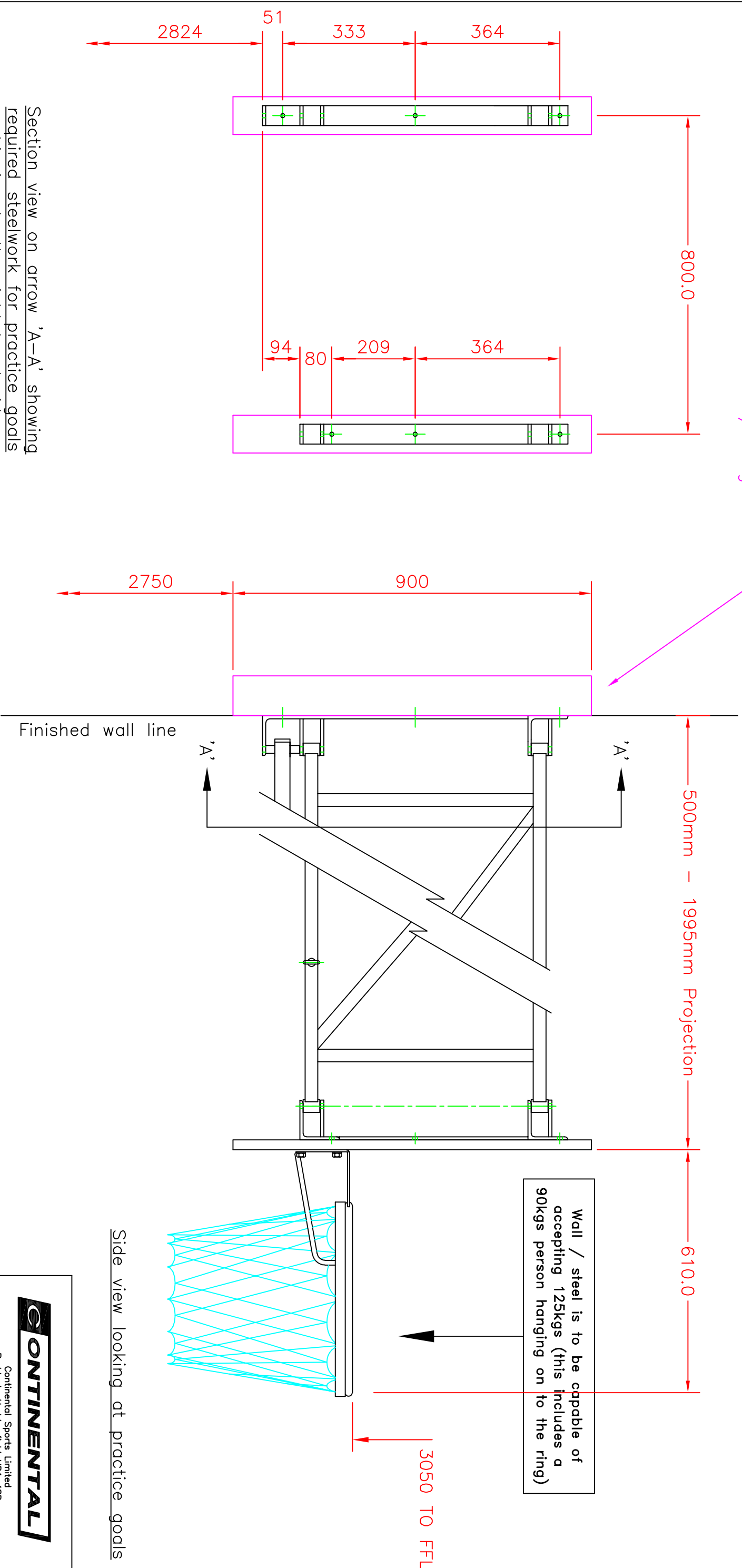


Purple indicates 2no vertical steels required @ 800mm centres for b/ball goals.



Section view on arrow 'A-A' showing required steelwork for practice goals hinging to the right hand side

Side view looking at practice goals

Wall / steel is to be capable of accepting 125kgs (this includes a 90kgs person hanging on to the ring)

3050 TO FFL

© Continental Sports Limited
The copyright of this drawing and any supplementary information issued shall remain vested in Continental Sports Limited. It shall not be passed to any other party without the express written consent of an authorised director of Continental Sports Limited.

Tolerances as detailed on SPE001 unless noted on the dimension.
ALL DIMENSIONS ARE GIVEN IN MILLIMETRES.
DO NOT SCALE OFF DRAWING.

CONTINENTAL			
Continental Sports Limited Paddock, Huddersfield HD1 4SD Tel: Huddersfield (01484) 542051 Fax: (01484) 539148 Website: http://www.continentialsports.co.uk E-Mail: sales@continentialsports.co.uk			
SIDEWAYS HINGED PRACTICE BASKETBALL GOALS. Loadings & Vertical Steelwork Requirements.			
scale	date	dr	rev
1:10	05-05-17	TJH	
projection	dwg no		
	SH-08m		