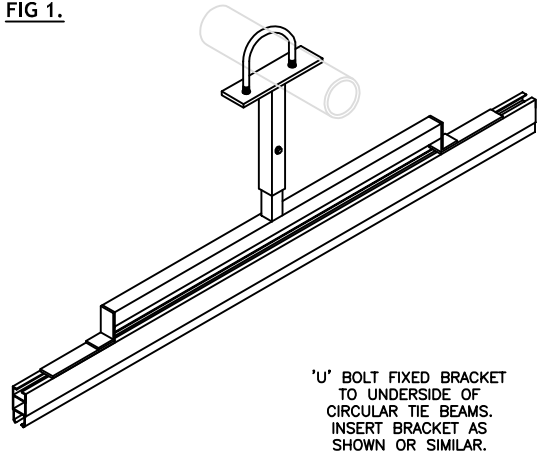
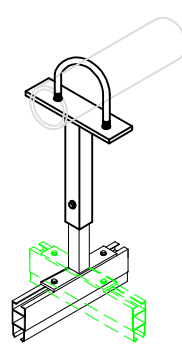


FIG 1.



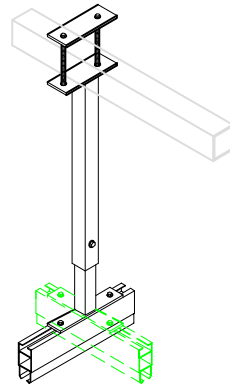
'U' BOLT FIXED BRACKET TO UNDERSIDE OF CIRCULAR TIE BEAMS. INSERT BRACKET AS SHOWN OR SIMILAR.

FIG 5.



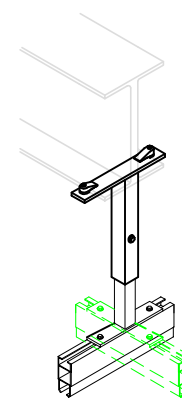
'U' BOLT FIXED BRACKET TO UNDERSIDE OF CIRCULAR TIE BEAMS. INSERT BRACKET AS SHOWN OR SIMILAR.

FIG 9.



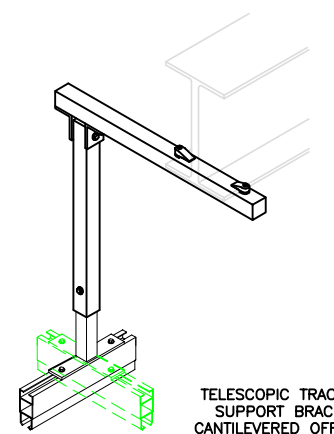
'CLAMP' BRACKET TO SHS BEAMS. INSERT BRACKET AS SHOWN OR SIMILAR.

FIG 13.



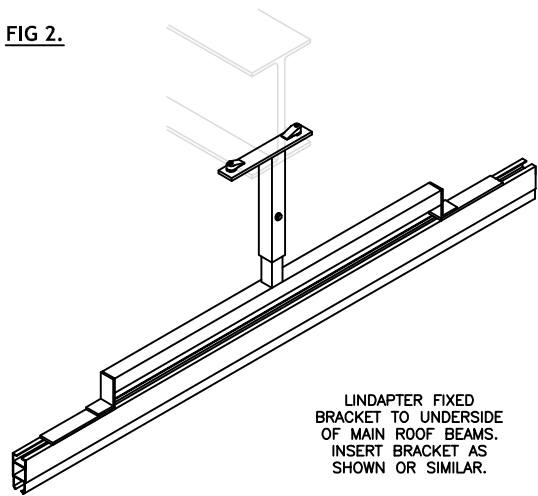
LINDAPTER FIXED BRACKET TO UNDERSIDE OF MAIN ROOF BEAMS. INSERT BRACKET AS SHOWN OR SIMILAR.

FIG 15.



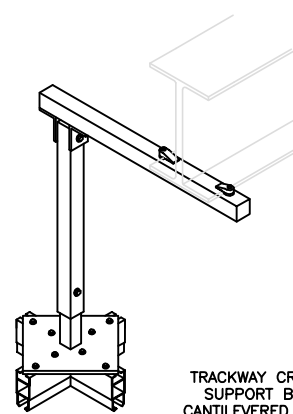
TELESCOPIC TRACKWAY SUPPORT BRACKET CANTILEVERED OFF MAIN ROOF BEAM TO AVOID OBSTRUCTIONS.

FIG 2.



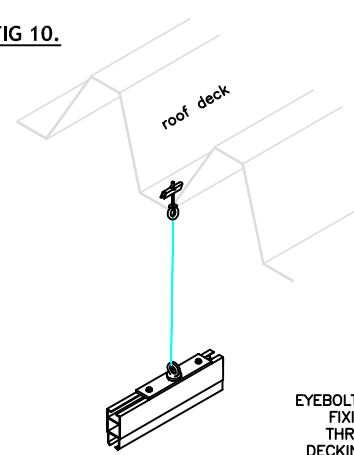
LINDAPTER FIXED BRACKET TO UNDERSIDE OF MAIN ROOF BEAMS. INSERT BRACKET AS SHOWN OR SIMILAR.

FIG 6.



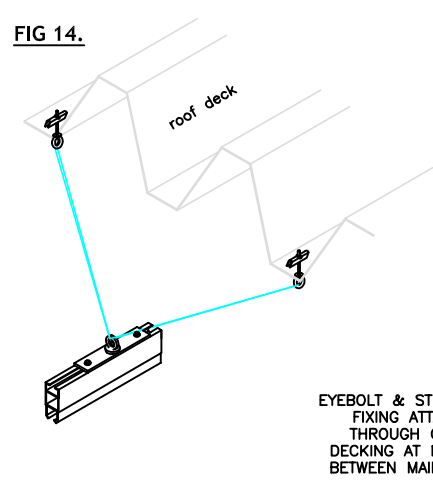
TRACKWAY CROSSOVER SUPPORT BRACKET CANTILEVERED OFF MAIN ROOF BEAM TO AVOID OBSTRUCTIONS.

FIG 10.



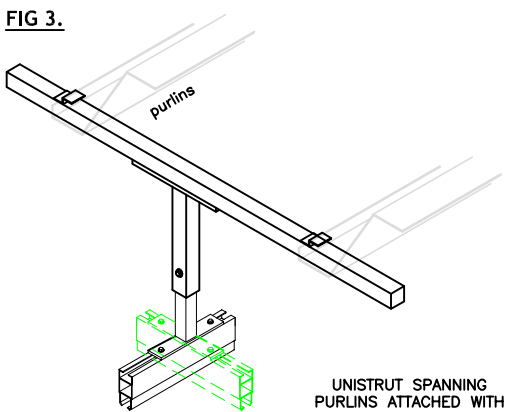
EYEBOLT & STEEL CABLE FIXING ATTACHED THROUGH CEILING DECKING AT MID SPAN BETWEEN MAIN BEAMS.

FIG 14.



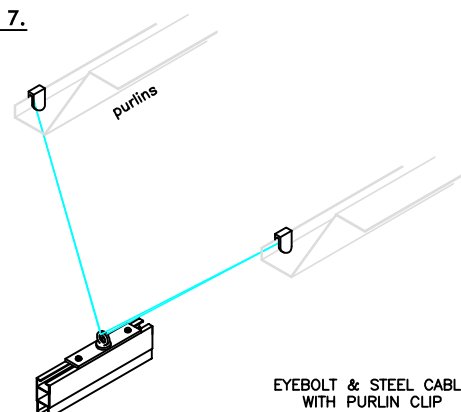
EYEBOLT & STEEL CABLE FIXING ATTACHED THROUGH CEILING DECKING AT MID SPAN BETWEEN MAIN BEAMS.

FIG 3.



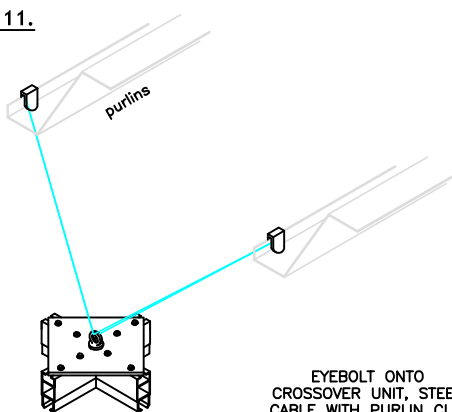
UNISTRUT SPANNING PURLINS ATTACHED WITH PURLIN CLIPS AT MID SPAN BETWEEN MAIN BEAMS OR SIMILAR.

FIG 7.



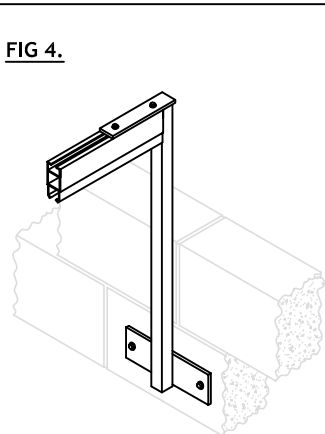
EYEBOLT & STEEL CABLE WITH PURLIN CLIP ATTACHED TO PURLINS AT MID SPAN BETWEEN MAIN BEAMS OR SIMILAR.

FIG 11.



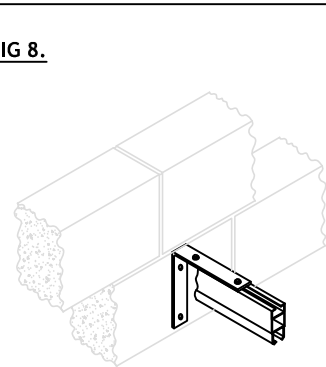
EYEBOLT ONTO CROSSOVER UNIT, STEEL CABLE WITH PURLIN CLIP ATTACHED TO PURLINS AT MID SPAN BETWEEN MAIN BEAMS.

FIG 4.



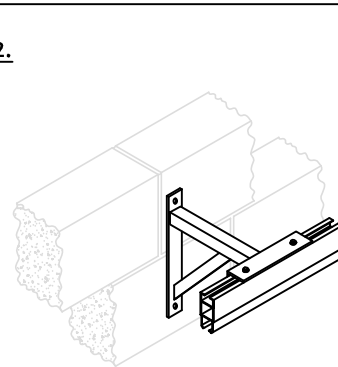
TRACKWAY BRACKET WALL FIXED.

FIG 8.



TRACKWAY BRACKET WALL FIXED.

FIG 12.



CANTILEVER TRACKWAY BRACKET (300mm - 1000mm) WALL FIXED.



Continental Sports Limited
Paddock, Huddersfield HD1 4SD
Tel: Huddersfield (01484) 542051 Fax: (01484) 539148
Website: <http://www.continentialsports.co.uk>
E-Mail: sales@contisports.co.uk

Continental Sports Limited accepts no responsibility for ensuring compliance of this layout with any relevant legislation.

OVERHEAD ALUMINIUM TRACK INSTALLATIONS. Typical Support Brackets onto Roof & Wall Structures.

scale	date	dr	rev
1:50	8/4/10	RC	
projection	dwg no		
	SH-22		

© Continental Sports Limited
The copyright of this drawing and any supplementary information issued shall remain vested in Continental Sports Limited. It shall not be passed to any other party without the express written consent of an authorised director of Continental Sports Limited.

DO NOT SCALE OFF DRAWING.