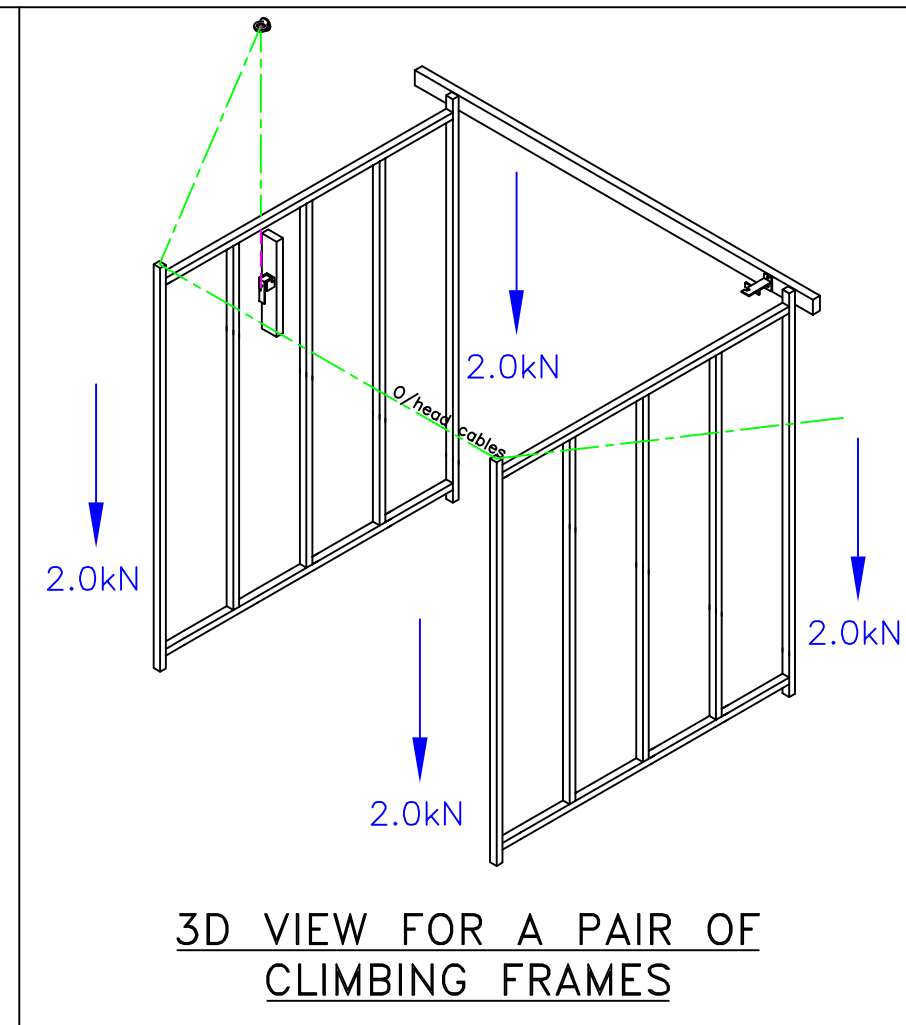
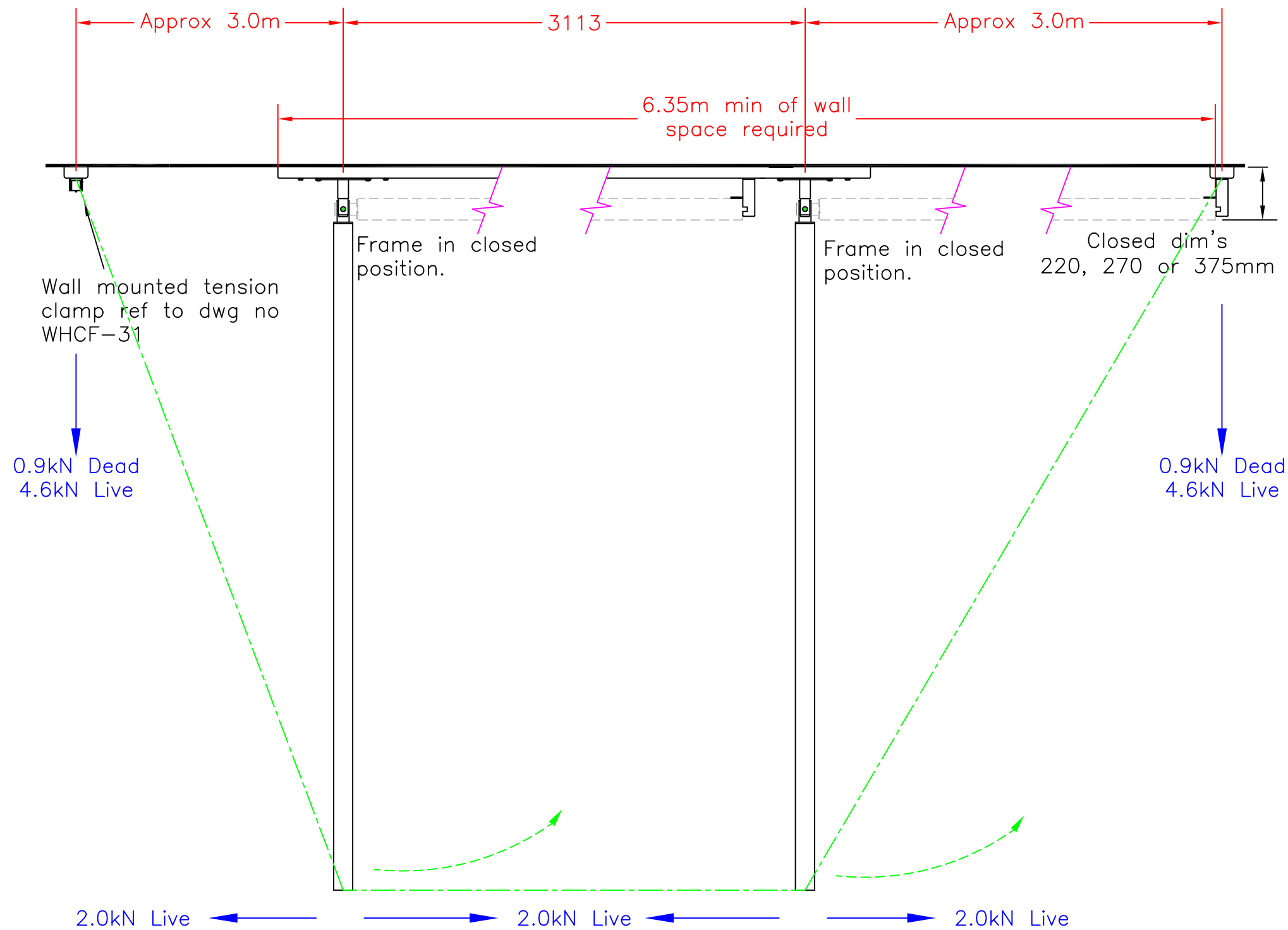


Wall fixed main gate pivot bracket see Dwg No WHCF-08 SHT1 & 09 SH2



Positions of shootbolt plates are detailed on Dwg No 448-23 for a timber wall hinged climbing frame.

A: RC CSP2-2382 4/11/14. LOADING INFORMATION ADDED TO DRAWING.



Continental Sports Limited
Paddock, Huddersfield HD1 4SD
Tel: Huddersfield (01484) 542051 Fax: (01484) 539148
Website: <http://www.continentialsports.co.uk>
E-Mail: sales@contisports.co.uk

A pair of wall hinged climbing frames location details.

scale	date	dr	rev
1:20	6/12/06	JC	A
projection	dwg no		
	WHCF-44		

© Continental Sports Limited
The copyright of this drawing and any supplementary information issued shall remain vested in Continental Sports Limited. It shall not be passed to any other party without the express written consent of an authorised director of Continental Sports Limited.